

REKOSER

INVERTERS

CATALOG 2019

RI-HF Series High Frequency Pure Sine Wave Inverter

Feature:

- Pure sine wave Inverter Modified sine wave Inverter
- High efficiency High efficiency
- Low self-consumption Low self-consumption
- Mainly use for solar system / car systems



Model	RI-1K-HF	RI-1.5K-HF	RI-2K-HF	RI-3K-HF
Output				
Rated power (W)	1000	1500	2000	3000
Wave form	Pure sine wave THD<3%			
Output voltage RMS	120VAC/230VAC(RMS)(10%)			
Output frequency	50/60Hz±3Hz			
Inverter efficiency(peak)	>85%			
Surge rating (W)	2000	3000	4000	6000
Input				
Nominal input voltage	12V/24V			
DC input voltage range	11 to 15VDC for 12V; 22 to 30 for 24V			
Low battery alarm	10.5VDC±0.5VDC for 12V; 21VDC±0.5VDC for 24V			
Low battery shutdown	10VDC±0.5VDC for 12V; 20VDC±0.5VDC for 24V			
No load current draw	<1A (Input 13.2VDC)			
High battery voltage shutdown	>15VDC for 12V; >30VDC for 24V			
Fuse(internal)	30Ax4	30Ax6	25Ax12	25Ax16
General characteristics				
Digital display	Indicates DC battery voltage±0.2V and output power ±10%			
Protections	Input reverse, Overload, Short Circuit, Over temperature protections			
Operating temperature range	-5-40			
Storage temperature range	-20-50			
Operating relative humidity	10%-90%			
Storage relative humidity	5%-95%			
Mechanical characteristics				
Cooling method	Fan			
Outlet	IEC/NEMA/SCHUKO/UNIVERSAL			
Connector	DC cable			
Dimension (W*H*D) mm	272x220x78	310x220x82.7	343x260x92	381.5x260x92
Net Weight	2.5kg	3.5kg	5.2kg	6.15kg

*Product specifications are subject to change without further notice.

RI-LF Series Low Frequency Pure Sine Wave Inverter

Feature:

- 35A ~70A automatic 3-stage battery charger
- Charge current is Adjustable(25% ,50% ,75% ,100%)
- Inbuilt pure copper transformer
- High / Low battery voltage, overload, over temperature protection
- Battery/AC priority(option)
- RS232/Remote switch(option)



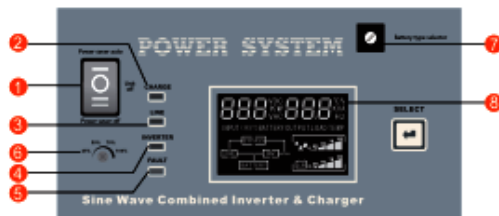
Introduction:

Low frequency pure sine wave combined inverter & charger RI-LF Series 1-6kw: Quiet, high efficiency operation front panel LED/LCD indicators and adjustable switch selectors Selectable settings for flooded lead acid, gel, absorbed glass mat (AGM) batteries. Mainly for home and office appliance such as TV,refrigerator,fan,lights,computer etc.

Back Panel

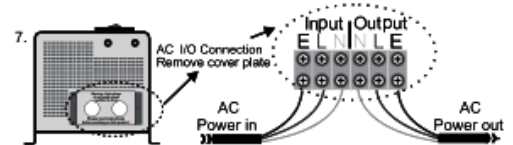
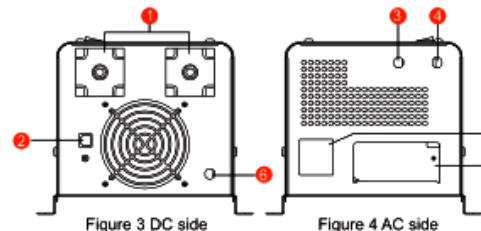


LCD Display Information



1. Switch	Power saver auto: Power on with saver mode(power saver \leq 25W) Unit Off: Power totally off(If there is AC power, inverter have charger function) Power saver off: Power on without saver mode
-----------	---

- | | |
|---|--------------------------|
| 2. AC charge | 7. Battery type selector |
| 3. AC power on | 8. LCD display |
| 4. inverter mode | |
| 5. Fault | |
| 6. Charge current adjustable: 25%, 50%, 75%, 100% | |



- | | |
|--------------------------|--|
| 1. Battery input | 4. Inverter Output Protect |
| 2. Remote control | 5. Output 10 MAX |
| 3. Charger Input Protect | 6. Boat's earth or bonding system or vehicle chassis |

Inverter Connection



SPECIFICATION																
MODEL		RI-1K- LF		RI-1.5K- LF		RI-2K- LF		RI-3K- LF			RI-4K- LF		RI-5K- LF		RI-6K- LF	
Nominal Battery System Voltage		12V	24V	12V	24V	12V	24V	12V	24V	48V	24V	48V	24V	48V	24V	48V
INVERTER OUTPUT	Rated Power	1000W		1500W		2000W		3000W			4000W		5000W		6000W	
	Surge Rating (20ms)	3000VA		4500VA		6000VA		9000VA			12000VA		15000VA		18000VA	
	Capable Of Starting Electric Motor	1HP				2HP				3HP						
	Waveform	Pure sine wave/ same as input (bypass mode)														
	Nominal Output Voltage RMS	100V/110V/120VAC or 220V/230V/240VAC										220V/230V/240VAC				
	Output Voltage Regulation	+/-10% RMS														
	Output Frequency	50Hz/60Hz +/-0.3 Hz														
	Inverter Efficiency(Peak)	>88%														
	Line Mode Efficiency	>95%														
	Power Factor	1.0														
Typical Transfer Time	10ms(max)															
AC INPUT	Voltage	120VAC/230VAC														
	Selectable Voltage Range	96~132VAC or 155~280VAC(For Personal Computers)										155~280VAC(For Computers)				
	Frequency Range	50Hz/60Hz (Auto sensing) 40-80Hz														
BATTERY	Minimum Start Voltage	10.0VDC /10.5VDC for12VDC mode (*2 for 24VDC, *4 for 48VDC)														
	Low Battery Alarm	10.5VDC+/-0.3V for12VDC mode (*2 for 24VDC, *4 for 48VDC)														
	Low Battery Cutoff	10.0VDC+/-0.3V for12VDC mode (*2 for 24VDC, *4 for 48VDC)														
	High Voltage Alarm	16.0VDC+/-0.3V for12VDC mode (*2 for 24VDC, *4 for 48VDC)														
	High Battery Voltage Recover	15.5VDC+/-0.3V for12VDC mode (*2 for 24VDC, *4 for 48VDC)														
	Idle Consumption-Search Mode	<25W when power saver on														
CHARGER	Output Voltage	Depends on battery type														
	Charger AC Input Breaker Rating	10A				30A				40A						
	Overcharge Protection S.D.	15.7VDC for 12VDC mode (*2 for 24VDC, *4 for 48VDC)														
	Maximum Charge Current	35A	20A	45A	20A	65A	35A	75A	45A	30A	65A	35A	70A	40A	75A	50A
BYPASS & PROTEC- TION	Input Voltage Waveform	Sine wave (grid or generator)														
	Nominal Input Frequency	50Hz or 60Hz														
	Overload Protection (SMPS Load)	Circuit breaker														
	Output Short Circuit Protection	Circuit breaker														
	Bypass Breaker Rating	10A				30A				40A						
	Max Bypass Current	10Amp				30Amp				40Amp						
MECHANICAL SPECIFICA- TIONS	Mounting	Wall mount														
	Dimensions (W*H*D)	423*224*180										597*224*181				
	Net Weight (kg)	15.7	18	16.2	15.5	20.3	19.1	25.3	23.7	24	37.2	34.8	44.15	44	44.15	44
	Shipping Dimensions(W*H*D)	570*315*300										755*319*288				
	Shipping Weight (kg)	18.3	20.6	19	18.1	23.1	21.8	28.1	26.5	26.5	40.8	38.4	48	47.8	48	47.8
OTHER	Operation Temperature Range	0°C to 40°C														
	Storage Temperature	-15°C to 60°C														
	Audible Noise	60dB MAX														
	Display	LED+LCD														
	Loading(20GP/40GP/40HQ)	450pcs / 850pcs / 1000pcs										6300pcs / 650pcs / 800pcs				

*Product specifications are subject to change without further notice.

Approximate Back-up Time Table

Power Rate(w)	backup time(H) @1*100Ah	backup time(H) @2*100Ah	backup time(H) @4*100Ah	backup time(H) @4*200Ah	backup time(H) @8*200Ah
1000	0.4806	1.602	3.50304	7.6896	
2000	0.2136	0.4806	1.602	3.50304	7.6896
3000	0.1068	0.2848	0.8544	2.136	4.8416
4000		0.2136	0.4806	1.602	3.50304
5000		0.12816	0.34176	1.19616	2.73408
6000		0.1068	0.2848	0.8544	2.136

RI-LF Series 120V Low Frequency Power Inverter

Feature:

- Rated power 1kw to 4kw
- Pure sine wave output
- 3 times surge power
- Wide frequency 40Hz-80Hz
- Overload and short circuit protection
- Built-in pure copper UI transformer
- Smart battery charger designed for optimized battery performance
- Cold start function
- Support RS232 monitoring function with free CD
- Support BTS and AGS function
- DIP Switch offer customized performance
- Remote Control Panel (optional)
- Solar priority function
- Compatible to generator



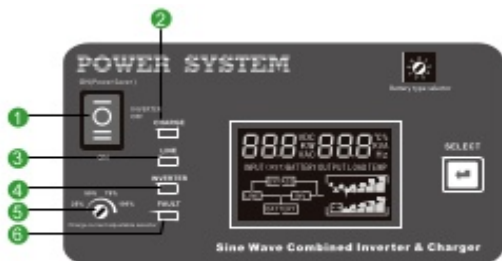
Introduction:

RI-LF series from Rekoser is a very economical pure sine wave inverter with AC charger from 35A to 70A .Solar /AC priority configurable. When solar priority, if solar charging current is lower then utility, the AC will supply to charge batteries, to optimize the charging with pure copper transformer inside, which let it be suitable for all kinds of home appliance.

Back Panel



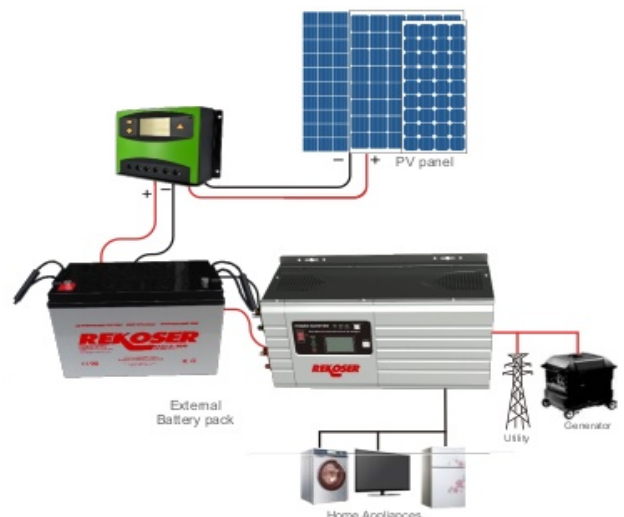
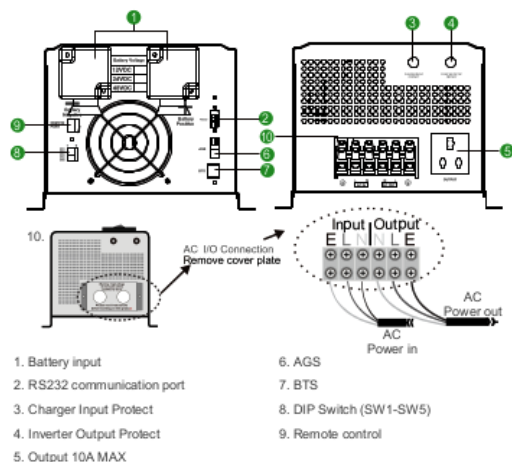
LCD/LED Display Information



1. Switch	ON(Power Saver): Power on with saver mode(power saver≤ 25W) INVERTER OFF: Power totally off(If there is AC power,inverter have charger function) ON: Power on without saver mode
-----------	--

- | | |
|----------------|---|
| 2. AC Charge | 4. Inverter mode |
| 3. AC power on | 5. Check inverter |
| | 6. Charge current adjustable:25%,50%,
75%,100%. (Optional) |

Solar System Connection



SPECIFICATION																			
MODEL		RI-1K-LF-12V	RI-1K-LF-24V	RI-5K-LF-12V	RI-1.5K-LF-24V	RI-2K-LF-12V	RI-2K-LF-24V	RI-3K-LF-12V	RI-3K-LF-24V	RI-3K-LF-48V	RI-4K-LF-24V	RI-4K-LF-48V							
Nominal Battery System Voltage		12VDC	24VDC	12VDC	24VDC	12VDC	24VDC	12VDC	24VDC	48VDC	24VDC	48VDC							
INVERTER OUTPUT	Rated Power	1.0KW		1.5KW		2.0KW		3.0KW			4.0KW								
	Surge Rating (20ms)	3.0KW		4.5KW		6.0KW		9.0KW			12.0KW								
	Capable Of Starting Electric Motor	1HP						2HP											
	Waveform	Pure sine wave/ same as input (bypass mode)																	
	Nominal Output Voltage RMS	100V/110V/120VAC (+/-10% RMS)																	
	Output Frequency	50Hz/60Hz +/-0.3 Hz																	
	Inverter Efficiency(Peak)	>88%																	
	Line Mode Efficiency	>95%																	
	Power Factor	1.0																	
Typical Transfer Time	10ms(max)																		
AC INPUT	Voltage	120VAC																	
	Selectable Voltage Range	80~135VAC(For Personal Computers)																	
	Frequency Range	50Hz/60Hz (Auto sensing) 40-80Hz																	
BATTERY	Minimum Start Voltage	10.0VDC /10.5VDC for12VDC mode (*2 for 24VDC, *4 for 48VDC)																	
	Low Battery Alarm	10.5VDC+/-0.3V for12VDC mode (*2 for 24VDC, *4 for 48VDC)																	
	Low Battery Cutoff	10.0VDC+/-0.3V for12VDC mode (*2 for 24VDC, *4 for 48VDC)																	
	High Voltage Alarm	16.0VDC+/-0.3V for12VDC mode (*2 for 24VDC, *4 for 48VDC)																	
	High Battery Voltage Recover	15.5VDC+/-0.3V for12VDC mode V																	
	Idle Consumption-Search Mode	<25W when power saver on																	
CHARGER	Output Voltage	Depends on battery type																	
	Charger AC Input Breaker Rating	10A			30A				40A										
	Overcharge Protection S.D.	15.7VDC for 12VDC mode (*2 for 24VDC, *4 for 48VDC)																	
	Maximum Charge Current	35A	20A	45A	20A	65A	35A	75A	45A	30A	65A	35A							
BYPASS & PROTECTION	Input Voltage Waveform	Sine wave (grid or generator)																	
	Nominal Input Frequency	50Hz or 60Hz																	
	Overload Protection (SMPS Load)	Circuit breaker																	
	Output Short Circuit Protection	Circuit breaker																	
	Bypass Breaker Rating	10A			30A				40A										
	Max Bypass Current	30Amp						40Amp											
MECHANICAL SPECIFICATIONS	Mounting	Wall mount																	
	Dimensions (W*H*D)	426*206*178 mm									601*206*178mm								
	Net Weight (kg)	16.5		17		21.1		20		26		24.5		24.8		38.2		35.8	
	Shipping Dimensions(W*H*D)										750*335*300mm								
	Shipping Weight (kg)	19.3		20		24.1		22.8		29.1		27.5		27.5		42.3		40	
OTHER	Operation Temperature Range	0°C to 40°C																	
	Storage Temperature	-15°C to 60°C																	
	Audible Noise	60dB MAX																	
	Display	LED+LCD																	
	Standard Warranty	1 year																	

*Product specifications are subject to change without further notice.

Approximate Back-up Time Table

Power Rate(w)	backup time(H) @1*100Ah	backup time(H) @2*100Ah	backup time(H) @4*100Ah	backup time(H) @4*200Ah	backup time(H) @8*200Ah
1000	0.4806	1.602	3.50304	7.6896	
2000	0.2136	0.4806	1.602	3.50304	7.6896
3000	0.1068	0.2848	0.8544	2.136	4.8416
4000		0.2136	0.4806	1.602	3.50304

RSI-LF-SP Series Low Frequency Pure Sine Wave Split Phase Inverter

Feature:

- Pure sine wave output, split phase HOT1+ N + HOT2 available, 120VAC/220VAC
- MFD (multi-function display) & Friendly user interface
- 3 Steps optimizing charge for battery pack
- Overload and short-circuit protection
- Settable: charging/charging current, utility/Battery priority, utility input wide/narrow range
- Inverter voltage can be set to 100V/110V/120V
- Inverter frequency can be set to 50/60Hz



Model	RI-1K-LF-SP-12V	RI-1K-LF-SP-24V	RI-1.5K-LF-SP-12V	RI-1.5K-LF-SP-24V	RI-2K-LF-SP-12V	RI-2K-LF-SP-24V	RI-3K-LF-SP-24V	RI-3K-LF-SP-48V	RI-4K-LF-SP-24V	RI-4K-LF-SP-48V	RI-6K-LF-SP-48V	RI-6K-LF-SP-48V
Inverter Output												
Rated power(W)	1KW		1.5KW		2KW		3KW		4KW		5KW	6KW
Power Factor	1											
Wave form	Pure sine wave/ Same as input waveform (bypass mode)											
Output voltage RMS	100V/110V/120VAC(200V/220V/240VAC)±10%											
Output frequency	50HZ or 60HZ (±0.3HZ) (can be set)											
Overload protection	Breaker + software protection											
Output short circuit	Breaker + software protection											
Inverter efficiency(peak)	>80%											
Overload	100%<Load<110% (alarm 5min then stop output and fault code 07); 110%<Load<125% (alarm 60s then stop output and fault code 07); Load>125% (alarm 10s then stop output and fault code 07)											
Surge rating	3000VA		4500VA		6000VA		9000VA		12000VA		15000VA	18000VA
Capable of starting motor	1P		1P		1.5P		1.5P		2P		3P	
Battery												
Battery voltage	12VDC/24VDC						24VDC/48VDC			48VDC		
Minimum start voltage	11VDC/22VDC/44VDC											
Low battery voltage cut off	[low voltage fault code04]10/10.5/11V for 12V model(*2 for 24VDC / *4 for 48VDC)											
Low battery voltage alarm	Add 0.5V/battery: (low battery alarm one second one time)(10/10.5/11V) + 0.5Vdc for 12V model(*2 for 24VDC / *4 for 48VDC)											
High battery voltage alarm	Add +1V/battery: (high voltage one second one time/after 30s fault 03) (13.8-14.5V) + 1V for 12V model(*2 for 24VDC / *4 for 48VDC)											
Save mode	Load≤40W(110V)/80W(220V)											
AC Input Mode												
Input waveform	Pure sine wave											
Nominal input voltage	220Vac / 230Vac / 240Vac											
Max input voltage	270Vac MAX											
Input frequency	50HZ/60HZ (auto sensing)											
Efficiency(AC mode)	>95% (load, full battery)											
Transfer time AC TO DC	15ms(max)											
Transfer time DC TO AC	15ms(max)											
Charge Mode												
Boost Voltage	14.1V(Default) Range of adjustment 13.8-14.5V/*2 for 24VDC/*4 for 48VDC (Regulation step 0.1V)											
Float Voltage	13.5V(default) Range of adjustment 13.5-13.7V/*2 for 24VDC/*4 for 48VDC (Regulation step 0.1V)											
12V	30A		45A		60A							
24V	20A		25A		30A		40A		60A			
48V							20A		30A		35A	40A
Min charge current 10A. change by every 5A.												
Dimensions												
Dimensions (W*H*D)	277*196*466mm						277*186*621mm					

*Product specifications are subject to change without further notice.

RSI-LF Series Low Frequency Solar Inverter

Feature:

- Rated power 1kw to 6kw
- Pure sine wave output
- Powerful charge rate up to 70Amp
- Built-in MPPT solar charge controller 40A/60A
- MPPT efficiency max 98%
- Built-in pure copper UI transformer
- DIP Switch offer customized performance
- High Efficiency Design & "Power Saving Mode" to Conserve Energy
- Supporting RS232 communication, AGS, BTS port
- Remote control panel (optional)
- Compatible to generator



Introduction:

This is a multi-function inverter, combining functions of inverter and mppt solar charger controller, solar charger and battery charger to offer uninterruptible power support with portable size. The comprehensive LCD display offers user-configurable and easy-accessible button operation such as battery charging current, AC/solar charger priority, and selectable input voltage based on different applications.

Back Panel

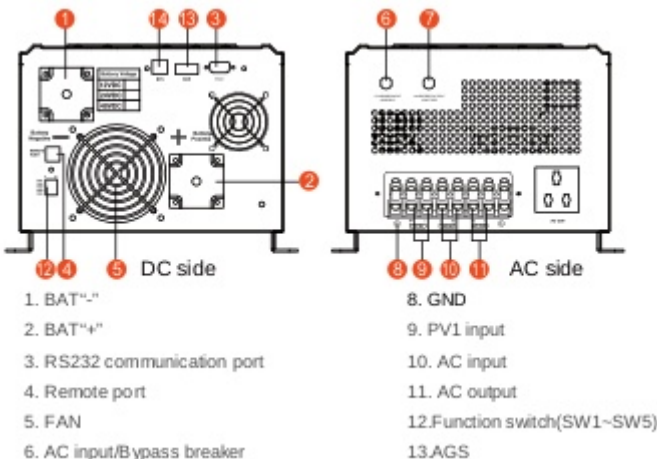


LCD/LED Display Information



1. Switch	Power saver auto: Power on with saver mode(power saver \leq 25W) Unit off: Power totally off(If there is AC power, inverter have charger function) Power saver off: Power on without saver mode
2.	PV voltage normal
3.	Battery voltage normal
4.	Charging
5.	AC Charge
6.	AC power on
7.	inverter mode
8.	check inverter
9.	Charge current adjustable:25%,50%,75%,100%. (Optional)
10.	Battery type selector
11.	LCD display

Solar System Connection



SPECIFICATION

MODEL		RSI-1K- LF	RSI-1.5K- LF	RSI-2K- LF	RI-3K- LF	RSI-4K- LF	RSI-5K- LF	RSI-6K- LF							
Nominal Battery System Voltage		12/24VDC	12/24VDC	12/24VDC	12/24VDC	24/48VDC	24/48VDC	24/48VDC							
INVERTER OUTPUT	Rated Power	1KW	1.5KW	2KW	3KW	4KW	5KW	6KW							
	Surge Rating (20ms)	3KW	4.5KW	6KW	9KW	12KW	15KW	18KW							
	Capable Of Starting Electric Motor	1HP			2HP			3HP							
	Waveform	Pure sine wave/ same as input (bypass mode)													
	Nominal Output Voltage RMS	100V/110V/120VAC or 220V/230V/240VAC					220V/230V/240VAC								
	Output Voltage Regulation	+/-10% RMS													
	Output Frequency	50Hz/60Hz +/-0.3 Hz													
	Inverter Efficiency(Peak)	>88%													
	Line Mode Efficiency	>95%													
	Power Factor	0.8			1.0										
Typical Transfer Time	10ms(max)														
AC INPUT	Voltage	230VAC													
	Selectable Voltage Range	96-132VAC or 155-280VAC(For Personal Computers)													
	Frequency Range	50Hz/60Hz (Auto sensing) 40-80Hz													
BATTERY	Minimum Start Voltage	10.0VDC / 10.5VDC for 12VDC mode (*2 for 24VDC, *4 for 48VDC)													
	Low Battery Alarm	10.5VDC +/-0.3V for 12VDC mode (*2 for 24VDC, *4 for 48VDC)													
	Low Battery Cutoff	10.0VDC +/-0.3V for 12VDC mode (*2 for 24VDC, *4 for 48VDC)													
	High Voltage Alarm	16.0VDC +/-0.3V for 12VDC mode (*2 for 24VDC, *4 for 48VDC)													
	High Battery Voltage Recover	15.5VDC +/-0.3V for 12VDC mode (*2 for 24VDC, *4 for 48VDC)													
	Idle Consumption-Search Mode	<25W when power saver on					<50W when power saver on								
CHARGER	Output Voltage	Depends on battery type													
	Charger AC Input Breaker Rating	10A	15A	30A				40A							
	Overcharge Protection S.D.	15.7VDC for 12VDC mode (*2 for 24VDC, *4 for 48VDC)													
	Maximum Charge Current	35A	20A	45A	25A	65A	35A	75A	45A	65A	35A	70A	40A	75A	50A
BYPASS & PROTEC-TION	Input Voltage Waveform	Sine wave (grid or generator)													
	Nominal Input Frequency	50Hz or 60Hz													
	Overload Protection (SMPS Load)	Circuit breaker													
	Output Short Circuit Protection	Circuit breaker													
	Bypass Breaker Rating	10A	15A	30A				40A							
	Max Bypass Current	30Amp							40Amp						
SOLAR CHARGER	Maximum PV Array Power	600 W	1200 W	600 W	1200 W	600 W	1200 W	600 W	1200 W	1600W	3200 W	1600 W	3200W	1600 W	3200 W
	Maximum PV Charge Current	40A							60A						
	DC Voltage	12V/24V atuo work							24V/48V atuo work						
	MPPT Range @ Operating Voltage	16-100VDC							32-145VDC @ 24V / 64-145VDC @ 48V						
	Maximum PV Array Open Circuit Voltage	100VDC							145VDC						
	Maximum Efficiency	>90%							>98%						
	Standby Power Consumption	<2W													
MECHANI-CAL SPECIFI-CATIONS	Mounting	Wall mount													
	Dimensions (W*H*D)	423*247*197mm							97*247*197mm						
	Net Weight (kg)	18.5	18.4	19.5	19.4	23.5	32.2	28.7	27	41.3	39.4	50.4	48.8	51.8	49.2
	Shipping Dimensions(W*H*D)	570*355*300mm							743*372*312mm						
	Shipping Weight (kg)	21.5	21.4	22.4	22.5	25.8	25.6	31.2	29.6	44.7	42.8	54	52.4	55.7	53.1
OTHER	Operation Temperature Range	0°C to 40°C													
	Storage Temperature	-15°C to 60°C													
	Audible Noise	60dB MAX													
	Display	LED+LCD													
	Loading(20GP/40GP/40HQ)	460pcs / 920pcs / 1060pcs							320pcs / 640pcs / 750pcs						

*Product specifications are subject to change without further notice.

Approximate Back-up Time Table

Power Rate(w)	backup time(H) @1*100Ah	backup time(H) @2*100Ah	backup time(H) @4*100Ah	backup time(H) @4*200Ah	backup time(H) @8*200Ah
1000	0.4806	1.602	3.50304	7.6896	
2000	0.2136	0.4806	1.602	3.50304	7.6896
3000	0.1068	0.2848	0.8544	2.136	4.8416
4000		0.2136	0.4806	1.602	3.50304
5000		0.12816	0.34176	1.19616	2.73408
6000		0.1068	0.2848	0.8544	2.136

RSI-LF Series 120V Low Frequency Off Grid Solar Inverter

Feature:

- Rated power 1kw to 4kw (110V/120V)
- Pure sine wave output
- Powerful charge rate up to 70Amp
- Built-in MPPT solar charge controller 40A/60A
- MPPT efficiency max 98%
- Built-in pure copper UI transformer
- DIP Switch offer customized performance
- High Efficiency Design & "Power Saving Mode" to Conserve Energy
- Supporting RS232 communication, AGS, BTS port
- Remote control panel (optional)
- Compatible to generator



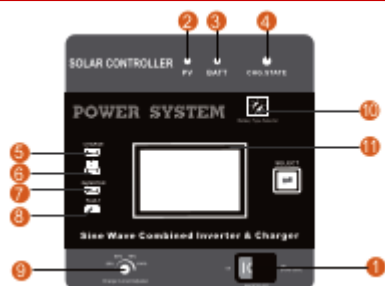
Introduction:

This is a multi-function inverter ,combining functions of inverter and mppt solar charger controller, solar charger and battery charger to offer uninterruptible power support with portable size. The comprehensive LCD display offers user-configurable and easy-accessible button operation such as battery charging current, AC/solar charger priority, and selectable input voltage based on different applications.

Back Panel

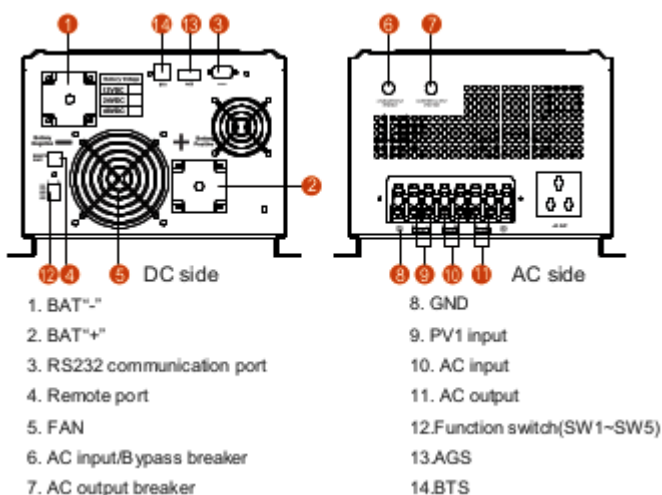


LCD/LED Display Information



- | | |
|-----------|--|
| 1. Switch | ON(Power saver): Power on with saver mode(power saver $\leq 25W$)
INVERTER OFF: Power totally off(If there is AC power,inverter have charge function)
ON: Power on without saver mode |
|-----------|--|
- 2. PV voltage normal
 - 3. Battery voltage normal
 - 4. PV Charging
 - 5. AC Charge
 - 6. AC power on
 - 7. inverter mode
 - 8. check inverter
 - 9. Charge current adjustable:25%,50%,75%,100%. (Optional)
 - 10. Battery type selector
 - 11. LCD display

Solar System Connection



SPECIFICATION														
MODEL		RSI-1K-LF-12-120	RSI-1K-LF-24-120	RSI-1.5K-LF-12-120	RSI-1.5K-LF-24-120	RSI-2K-LF-12-120	RSI-2K-LF-24-120	RSI-3K-LF-12-120	RSI-3K-LF-24-120	RSI-3K-LF-48-120	RSI-4K-LF-24-120	RSI-4K-LF-48-120		
Nominal Battery System Voltage		12VDC	24VDC	12VDC	24VDC	12VDC	24VDC	12VDC	24VDC	48VDC	24VDC	48VDC		
INVERTER OUTPUT	Rated Power	1KW		1.5KW		2KW		3KW		4KW				
	Surge Rating (20ms)	3KW		4.5KW		6KW		9KW		12KW				
	Capable Of Starting Electric Motor	1HP					2HP							
	Waveform	Pure sine wave/ same as input (bypass mode)												
	Nominal Output Voltage RMS	110V/120VAC												
	Output Frequency	50Hz/60Hz +/-0.3 Hz												
	Inverter Efficiency(Peak)	>88%												
	Line Mode Efficiency	>95%												
	Power Factor	1.0												
Typical Transfer Time	10ms(max)													
AC INPUT	Voltage	120VAC												
	Selectable Voltage Range	80~135VAC(For Personal Computers)												
	Frequency Range	50Hz/60Hz (Auto sensing) 40-80Hz												
BATTERY	Minimum Start Voltage	10.0VDC /10.5VDC for12VDC mode (*2 for 24VDC,)									20.0VDC~21.0VDC/ 40.0VDC~42.0VDC			
	Low Battery Alarm	10.5VDC+/-0.3V for12VDC mode (*2 for 24VDC,)									21.0VDC+/-0.6V /42.0VDC+/-1.2V			
	Low Battery Cutoff	10.0VDC+/-0.3V for12VDC mode (*2 for 24VDC,)									20.0VDC+/-0.6V /40.0VDC+/-1.2V			
	High Voltage Alarm	16.0VDC+/-0.3V for12VDC mode (*2 for 24VDC,)									32.0VDC+/-0.6V /64.0VDC+/-1.2V			
	High Battery Voltage Recover	15.5VDC+/-0.3V for12VDC mode (*2 for 24VDC,)									31.0VDC+/-0.6V / 62.0VDC+/-1.2V			
	Idle Consumption-Search Mode	<25W when power saver on									<50W when power saver on			
CHARGER	Output Voltage	Depends on battery type												
	Charger AC Input Breaker Rating	10A			30A				40A					
	Overcharge Protection S.D.	15.7VDC for 12VDC mode (*2 for 24VDC,)									31.4VDC/62.8VDC			
	Maximum Charge Current	35A	20A	45A	25A	65A	35A	75A	45A	30A	65A	35A		
BYPASS & PROTECTION	Input Voltage Waveform	Sine wave (grid or generator)												
	Nominal Input Frequency	50Hz or 60Hz												
	Overload Protection (SMPS Load)	Circuit breaker												
	Output Short Circuit Protection	Circuit breaker												
	Bypass Breaker Rating	10A			30A				40A					
	Max Bypass Current	30Amp					40Amp							
SOLAR CHARGER	Maximum PV Array Power	600W	1200W	600W	1200W	600W	1200W	600W	1200W	2400W	1600W	3200W		
	Maximum PV Charge Current	40A									45A	60A		
	DC Voltage	12V/24V atuo work									24V/48V atuo work			
	MPPT Range @ Operating Voltage	16~100VDC @12V / 32~145VDC @ 24V									32~145VDC @ 24V / 64~145VDC @ 48V			
	Maximum PV Array Open Circuit Voltage	100VDC/145VDC									145VDC			
	Maximum Efficiency	>98%												
	Standby Power Consumption	<2W												
MECHANICAL SPECIFICATIONS	Mounting	Wall mount												
	Dimensions (W*H*D)	423*247*197mm									597x247x197mm			
	Net Weight (kg)	18.5	18.4	19.5	19.4	23.5	32.2	28.7	27	23.3	41.3	39.4		
	Shipping Dimensions(W*H*D)	570*355*300mm									743*372*312mm			
	Shipping Weight (kg)	21.5	21.4	22.4	22.5	25.8	25.6	31.2	29.6	25.1	44.7	42.8		
OTHER	Operation Temperature Range	0°C to 40°C												
	Storage Temperature	-15°C to 60°C												
	Audible Noise	60dB MAX												
	Display	LED+LCD												
	Standard Warranty	1 year												

*Product specifications are subject to change without further notice.

Approximate Back-up Time Table					
Power Rate(w)	backup time(H) @1*100Ah	backup time(H) @2*100Ah	backup time(H) @4*100Ah	backup time(H) @4*200Ah	backup time(H) @8*200Ah
1000	0.4806	1.602	3.50304	7.6896	
2000	0.2136	0.4806	1.602	3.50304	7.6896
3000	0.1068	0.2848	0.8544	2.136	4.8416
4000		0.2136	0.4806	1.602	3.50304

RSI-LF Series Plus Low Frequency Off Grid Solar Inverter

Feature:

- Rated power 4kw to 12kw
- Pure sine wave output
- Smart LCD setting(Working modes, Charge Current, Charge voltage, etc.)
- Built-in MPPT solar charge controller 60A/120A
- MPPT efficiency max 98%
- Powerful charge rate up to 100Amp (120A optional)
- Built-in pure copper UI transformer
- DC start & Automatic Self-Diagnostic Function
- RS485 monitoring function with free CD
- Supporting AGS, BTS port
- WIFI/GPRS remote monitoring (optional)
- Compatible to generator



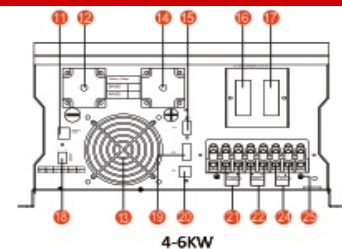
Introduction:

This is a multi-function inverter/charger, combining functions of inverter, MPPT solar charger and battery charger to offer uninterruptible power support with portable size. Its comprehensive LCD display offers user-configurable and easy-accessible button operation such as battery charging current, AC/solar charger priority, and acceptable input voltage based on different applications.

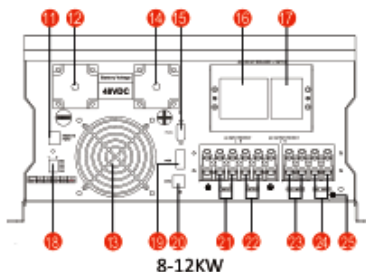
Back Panel



LCD/LED Display Information



4-6KW



8-12KW

1. Power saver on/off switch
2. AC Charger current setting
3. LCD display
4. Battery voltage setting
5. Inverter indicator
6. Charging indicator
7. Grid indicator

8. Fault indicator
9. Function
10. PV indicator
11. Remote port
12. BAT“-"
13. FAN
14. BAT“+"
15. RS485/CAN communication port
16. AC input/Bypass breaker
17. AC output breaker
18. Function switch(SW1-SW5)
19. AGS
20. BTS
21. AC input
22. AC output
23. PV2 input (Optional)
24. PV1 input
25. Ground

Solar System Connection



SPECIFICATION

MODEL		RSI-4K-LF +		RSI-5K-LF +	RSI-6K-LF +	RSI-8K-LF +	RSI-10K-LF +		
Nominal Battery System Voltage		24V	48V	48V	48V	48VDC	48VDC	48VDC	
INVERTER OUTPUT	Rated Power	4KW		5KW	6KW	8KW	10KW	12KW	
	Surge Rating (20ms)	12KW		15KW	18KW	24KW	30KW	36KW	
	Capable Of Starting Electric Motor			2HP 3HP		4HP	5HP	6HP	
	Waveform	Pure sine wave/ same as input (bypass mode)							
	Nominal Output Voltage RMS	220V/230V/240VAC(+/-10% RMS)							
	Output Frequency	50Hz/60Hz +/-0.3 Hz							
	Inverter Efficiency(Peak)	>85%				>88%			
	Line Mode Efficiency						>95%		
Power Factor	0.8								
Typical Transfer Time	10ms(max)								
AC INPUT	Voltage	230VAC							
	Selectable Voltage Range	154~272VAC(For Personal Computers)							
	Frequency Range	50Hz/60Hz (Auto sensing)							
BATTERY	Minimum Start Voltage	20.0VDC/21.0VDC for 24VDC mode (40.0VDC/42.0VDC for 48VDC mode)							
	Low Battery Alarm	21.0VDC+/-0.3V for 24VDC mode (42.0VDC+/-0.6V for 48VDC mode)							
	Low Battery Cutoff	20.0VDC+/-0.3V for 24VDC mode (40.0VDC+/-0.6V for 48VDC mode)							
	High Voltage Alarm	32.0VDC+/-0.3V for 24VDC mode (64.0VDC+/-0.6V for 48VDC mode)							
	High Battery Voltage Recover	31.0VDC+/-0.3V for 24VDC mode (62.0VDC+/-0.6V for 48VDC mode)							
	Idle Consumption-Search Mode	<25W when power saver on							
CHARGER	Output Voltage	Depends on battery type							
	Charger AC Input Breaker Rating					30A 40A	50A	63A	
	Overcharge Protection S.D.	31.4VDC for 24VDC mode (62.8VDC for 48VDC mode)							
	Maximum Charge Current	65A	40A	35A	40A	70A	80A	100A	
BYPASS & PROTEC-TION	Input Voltage Waveform	Sine wave (grid or generator)							
	Nominal Input Frequency	50Hz or 60Hz							
	Overload Protection (SMPS Load)	Circuit breaker							
	Output Short Circuit Protection	Circuit breaker							
	Bypass Breaker Rating						40A 80A		
	Max Bypass Current	40Amp				80Amp			
SOLAR CHARGER	Maximum PV Array Power	1600 W	3200 W	3200W	3200W	3200W(6400W for 120A Optional)			
	Maximum PV Charge Current	60A				60A(120A Optional)			
	DC Voltage	24V/48V Auto work					48V		
	MPPT Range @ Operating Voltage	32-145VDC for 24V mode,64-147V for 48V mode					64~147VDC		
	Maximum PV Array Open Circuit Voltage	147VDC							
	Maximum Efficiency	>98%							
	Standby Power Consumption	<2W							
MECHANICAL SPECIFICATIONS	Mounting	Wall mount							
	Dimensions (W*H*D)	620*385*215mm				670*410*215mm			
	Net Weight (kg)	36		41	44	69+2.5	75.75+2.5	75.75+2.5	
	Shipping Dimensions(W*H*D)	755*515*455mm				884*618*443mm			
	Shipping Weight (kg)	56		61	64	89+2.5	95.5+2.5	95.5+2.5	
OTHER	Operation Temperature Range	0°C to 40°C							
	Storage Temperature	-15°C to 60°C							
	Audible Noise	60dB MAX							
	Display	LED+LCD							
	Loading(20GP/40GP/40HQ)	140pcs / 280pcs / 3200pcs					320pcs / 640pcs / 750pcs		

*Product specifications are subject to change without further notice.

Approximate Back-up Time Table

Power Rate(w)	backup time(H) @2*100Ah	backup time(H) @4*100Ah	backup time(H) @4*200Ah	backup time(H) @8*200Ah
4000	0.2136	0.4806	1.602	3.50304
5000	0.12816	0.34176	1.19616	2.73408
6000		0.2848	0.8544	2.136
8000		0.1922	0.6408	1.4
10000		0.1367	0.4148	1.0936
12000		0.11392	0.3417	0.8544

RSI-HF Series High Frequency off Grid Solar Inverter

Feature:

- Rated power 2KW/3KW/4KW/5KW
- Pure sine wave output
- Smart LCD setting (Working modest, Charge Current, Charge voltage, etc.)
- Built-in MPPT solar charge controller 60A/80A
- New SUB working mode (Solar-Utility-Battery working mode) for 4K-5K 48V series
Combining solar system, AC utility and battery power source to supply continuous power
- Overload, short circuit and Deep discharge protection
- Parallel operation with up to 3 units (Available for 4KW/5KW only)
- Cold start function
- WIFI remote monitoring (optional)
- Support USB, RS485 monitoring function with free CD
- Compatible to generator



SPECIFICATION					
MODEL	RSI-2K-HF-24V	RSI-3K-HF-24V	RSI-3K-HF-48V	RSI-4K-HF-48V	RSI-5K-HF-48V
Nominal Battery System Voltage		24VDC		48VDC	
INVERTER OUTPUT	Rated Power	2000W	3000W	3000W	4000W
	Surge Rating (20ms)	4000W	6000W	6000W	8000W
	Waveform	Pure sine wave			
	AC Voltage Regulation(Batt. Mode)	(220VAC~240VAC)+/-5%			
	Inverter Efficiency(Peak)	>93%			
	Typical Transfer Time	10ms (For Personal Computers) 20ms (For Personal Appliance)			
AC INPUT	Voltage	230VAC			
	Selectable Voltage Range	170~280VAC (For Personal Computers) or 90~280VAC (For Personal Appliance) or 184~253 (VDE4105)			
	Frequency Range	50Hz/60Hz (Auto sensing)			
BATTERY	Nominal Voltage	24VDC		48VDC	
	Floating Charge Voltage	27VDC		54VDC	
	Overcharge Protection	31VDC		60VDC	
SOLAR CHARGE & AC CHARGE	Maximum PV Array Open Circuit Voltage			145VDC	
	PV Array MPPT Voltage Range	30~30VDC		64~130VDC	
	Standard Power Consumption	2W			
	PV Input power Power	1440W/1920W		2880W/3840W	
	Maximum Solar Charge Current	60/80A			
	Maximum Efficiency	98%			
	Maximum AC Charge Current	20/30A		60A	
	Maximum Charge Current	80A		120/140A	
MECHANICAL SPECIFICATIONS	Machine Dimensions (W*H*D)	272*355*100		638*395*241	
	Net Weight (kg)	10	11	13.3	
	Shipping Dimensions(W*H*D)	540*395*241		638*395*241	
	Gross Weight (kg)	11.7	12	16.4	
OTHER	Operation Temperature Range	0°C to 55°C			
	Storage Temperature	-15°C to 60°C			
	Humidity	5% to 95% Relative Humidity (Non-Condensing)			

*Product specifications are subject to change without further notice.

RSI-HF Series 120V High Frequency off Grid Solar Inverter

Feature:

- AC Output 100~120 Vac
- Pure sine wave output
- Smart LCD setting (Working modest, Charge Current, Charge voltage, etc.)
- Built-in MPPT solar charge controller 60A/80A
- MPPT Efficiency max 98%
- New SUB working mode (Solar-Utility-Battery working mode) for 3K series
- Combining solar system, AC utility and battery power source to supply continuous power
- Overload, short circuit and Deep discharge protection
- Parallel operation with up to 3 units (Available for 4KW/5KW only)
- Cold start function
- WIFI remote monitoring (optional)
- Support USB, RS485 monitoring function with free CD
- Compatible to generator



SPECIFICATION

MODEL		RSI-1K-HF -24V -120	RSI-1.5K-HF -24V -120	RSI-2K-HF -24V -120	RSI-2.5K-HF -24V -120	RSI-3K-HF -24V -120	RSI-3K-HF -48V -120	
Nominal Battery System Voltage		24VDC					48VDC	
INVERTER OUTPUT	Rated Power	1000W	1500W	2000W	2500W	3000W	3000W	
	Surge Rating (20ms)	2000W	6300W	4000W	5000W	6000W	6000W	
	Waveform	Pure sine wave						
	AC Voltage Regulation(Batt. Mode)	(100VAC~120VAC)+/-5%						
	Inverter Efficiency(Peak)	>93%						
	Typical Transfer Time	10ms (For Personal Computers) 20ms (For Personal Appliance)						
AC INPUT	Voltage	120VAC						
	Selectable Voltage Range	90~145VAC (For Personal Computers) or 65~145VAC (For Personal Appliance) or 107~132 (VDE4105)						
	Frequency Range	50Hz/60Hz (Auto sensing)						
BATTERY	Nominal Voltage	24VDC					48VDC	
	Floating Charge Voltage	27VDC					54VDC	
	Overcharge Protection	31VDC					60VDC	
SOLAR CHARGE & AC CHARGE	Maximum PV Array Open Circuit Voltage	145VDC						
	PV Array MPPT Voltage Range	30~30VDC					64~130VDC	
	Standard Power Consumption	2W						
	PV Input power Power	1440W/1920W					2880W/3840W	
	Maximum Solar Charge Current	60/80A						
	Maximum Efficiency	98%						
	Maximum AC Charge Current	60A						
Maximum Charge Current	120/140A							
MECHANICAL	Machine Dimensions (W*H*D)	272*355*100					197.5*468*125	
	Net Weight (kg)	13.3						
SPECIFICATIONS	Shipping Dimensions(W*H*D)	540*395*241					638*395*241	
	Gross Weight (kg)	16.4						
	Operation Temperature Range	0°C to 55°C						
OTHER	Storage Temperature	-15°C to 60°C						
	Humidity	5% to 95% Relative Humidity (Non-Condensing)						

*Product specifications are subject to change without further notice.

RSI-LF-HY Series Low Frequency Hybrid Solar Inverter On/Off Grid

Feature:

- Rated power 2KW to 4KW
Smart LCD setting (Working modes, Charge Current, Charge Voltage, etc.)
- Built-in MPPT 60A solar charge controller
- MPPT Efficiency max 98%
- Combining solar system, AC utility, and battery power source to supply continuous power
- Multiple operations: basic Grid-tie, Off-Grid, Grid-Interactive
- Parallel operation with up to 3 units
- Support CAN, RS485 monitoring function with free CD
- WIFI/ GPRS remote monitoring (optional)
- Compatible to generator



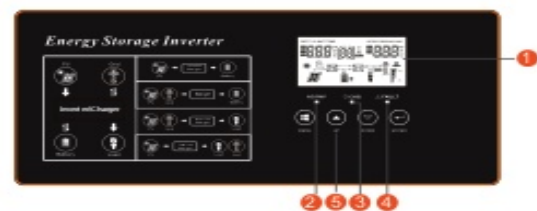
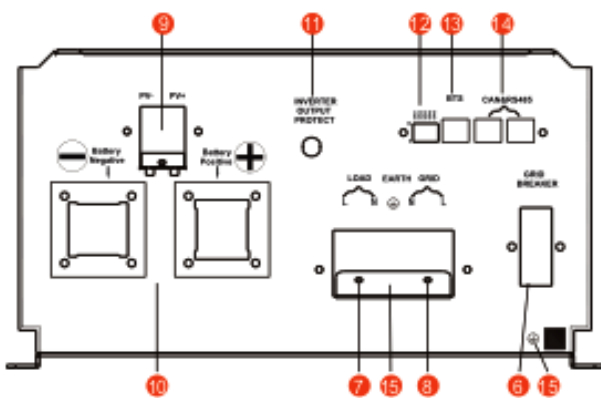
Introduction:

In comparison with pure on-grid solar inverter, RSI-LF-HY model can not only feed-in power to grid, but also store PV power to battery, and power loads directly. Combining the function of inverter, on-grid, MPPT solar charger, and battery charger to offer uninterruptible power support. Its comprehensive LCD display offers user configurable and easy accessible button operation, such as battery charging current, AC/solar charging priority, and acceptable input voltage based on different applications

Back Panel

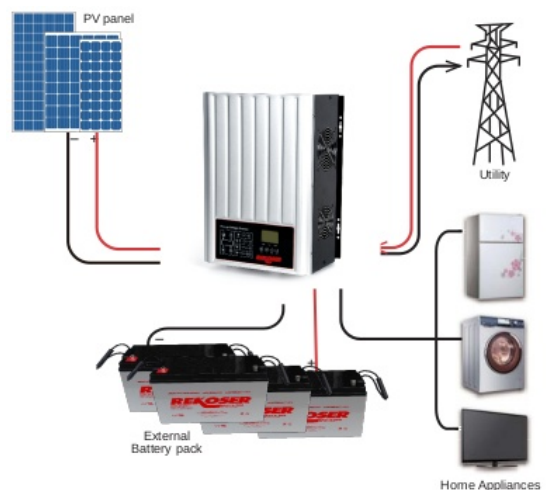


LCD/LED Display Information



- | | |
|-----------------------|----------------------------------|
| 1. LCD display | 9. PV input |
| 2. Status indicator | 10. Battery input |
| 3. Charging indicator | 11. Inverter output protect |
| 4. Fault indicator | 12. Switch |
| 5. Function buttons | 13. BTS |
| 6. Grid breaker | 14. CAN&RS485 communication port |
| 7. Load | 15. Earth |
| 8. Grid | |

Solar System Connection



SPECIFICATION

MODEL	RSI-2K-LF-HY	RSI-3K-LF-HY	RSI-4K-LF-HY	
Nominal Battery System Voltage	48VDC			
INVERTER OUTPUT	Rated Output Power	2000W	3000W	4000W
	Rated output voltage and frequency	230Vac / 50Hz		
	Rated output current	8.7A	13A	17.4A
	Output voltage precision	230Vac±1%		
	Output frequency precision	50Hz±0.1%		
	THD (Linear loads)	Off grid≤2%		
		Grid discharge ≤3%		
		Grid charge ≤3%		
	Dynamic response speed(0←→100%)	20ms		
	Power factor	Grid discharge 99.9% & Grid charge 99.9%		
	Overload capability	100% <load≤110%,30 minutes; 110% <load≤125%,1 minutes; 125% <load≤150%,30 seconds; load>150%,10 seconds; Short circuit,5 seconds		
	Grid / Off grid change time	<10ms		
	Output wave	sine wave		
Inverting efficiency 80% resistive loads	≥92%	≥93%		
AC INPUT	AC input maximum current	17.4A	26A	34.8A
	Acceptable input voltage range	Defaults 186Vac ~253Vac; Narrow 174Vac ~272Vac; Wide 95Vac ~272Vac		
	Nominal frequency	50Hz / 60Hz		
BATTERY	Rated input voltage	48VDC		
	Allowed input DC voltage range	40VDC - 62VDC		
	Low voltage alarm	42VDC		
	High voltage alarm	60VDC		
SOLAR CHARGE & AC CHARGE	PV Open Circuit Voltage	145VDC		
	Max Solar Charging Current	60A		
	Max AC Charging Current	40A	60A	80A
DISPLAY & PROTECTION FUNCTION	LED indication	Systematic operation, indication of charge and discharge, indication of fault		
	LCD display	output voltage, output current, grid voltage, grid current, voltage of storage battery, load power, chart of capacity		
	Protection Function	Input LV protection		
		Input OV protection		
		Output overload protection		
	Output Short Circuit Protection			
MECHANICAL SPECIFICATIONS	Mounting	Wall mounted		
	Machine Dimensions (W*H*D)(mm)	337*462*183mm	337*462*183mm	370*462*183mm
	Package Dimensions (W*H*D)(mm)	476*602*325mm	476*602*325mm	476*602*325mm
	Net Weight (kg)	25	29.5	35
	Gross Weight (kg)	30.3	33	38.5
OTHER	Communication terminal	RS485 / CAN bus		
	Operation Temperature Range	-25°C ~ +50°C		
	Environmental Protection Rating	Indoor(IP20)		
	Ambient humidity	0 - 90% relative humidity(non-condensing)		
	Altitude	≤3000m		

*Product specifications are subject to change without further notice.

Approximate Back-up Time Table

Model	Load(W)	Backup Time@48V 100Ah(min)	Backup Time@48V 200Ah(min)
2KW	200	1270	2541
	1000	208	488
	2000	82	203
3KW	300	847	1694
	1500	123	315
	3000	50	123
4KW	400	614	1281
	2000	89	205
	4000	38	89

RSI-HF-HY Series High Frequency Hybrid Solar Inverter On/Off Grid

Feature:

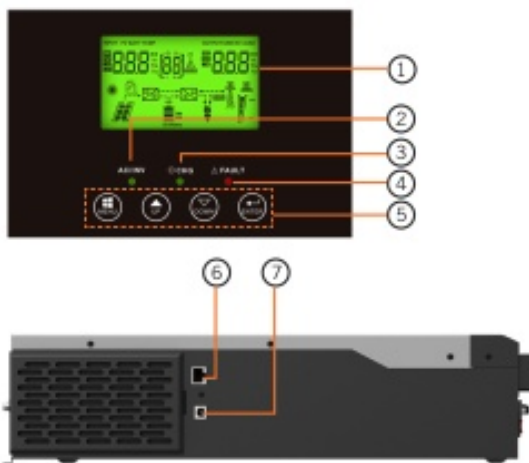
- Rated Power 2KW-5.5KW
- Pure sine wave output
- Self-consumption and Feed-in to the grid
- Programmable supply priority for PV, Battery or Grid
- User-adjustable battery charging current suits different types of batteries
- Programmable multiple operation modes: Grid-tie, off-grid and grid-tie with backup
- Multiple communication for USB, RS-485, Modbus
- Monitoring software & Wifi Kit for real-time status display and control
- Parallel operation up to 3 units



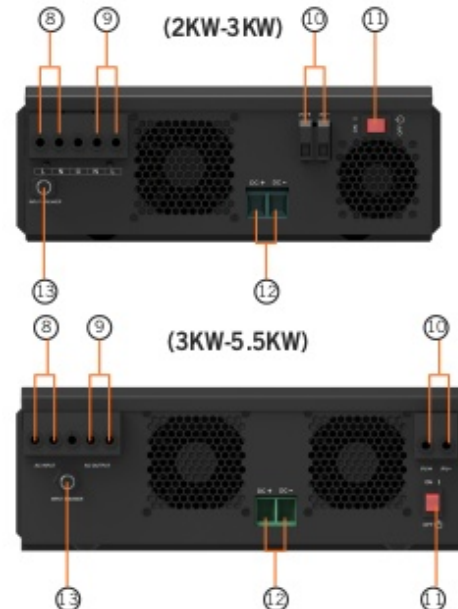
Introduction:

RSI-HF-HY series hybrid solar inverter, it can realize self-consumption and feed-in to the grid from solar energy with best solution according to your setting. During the daytime solar power can run your home appliances and if there is extra solar power it will feed-in to the grid or you can choose to save them on the battery to backup when power failure or nighttime.

Back Panel and Display Information



1. LCD Display
2. Status Indicator
3. Charging Indicator
4. Fault Indicator
5. Function Buttons
6. RS-485 Communication port
7. USB



8. AC Input
9. AC Output
10. PV Input
11. Power On/Off Switch
12. Battery Input
13. Circuit breaker

SPECIFICATION

MODEL		RSI-2K-HF-HY-24V	RSI-3K-HF-HY-24V	RSI-3K-HF-HY-48V	RSI-4K-HF-HY-48V	RSI-5K-HF-HY-48V	RSI-5.5K-HF-HY-48V
Nominal Battery System Voltage		24VDC			48VDC		
INVERTER OUTPUT	Rated Power	2000W	3000W	3000W	4000W	5000W	5500W
	Surge Power	4000W	6000W	6000W	8000W	10000W	11000W
	Waveform	Pure sine wave					
	AC Voltage Regulation(Batt. Mode)	220VAC~240VAC (setting)					
	Electric Current	8.7A	13A		17.4A	21.7A	23.9A
	Inverter Efficiency(Peak)	>93%					
	Typical Transfer Time	10ms (For Personal Computers) 20ms (For Personal Appliance)					
AC INPUT	Voltage	230VAC					
	Selectable Voltage Range	170~280VAC (For Personal Computers) or 90~280VAC (For Personal Appliance) or 184~253VAC(VDE4105)					
	Frequency Range	50Hz/60Hz (Auto sensing)					
BATTERY	Nominal Voltage	24VDC			48VDC		
	Floating Charge Voltage	27.4VDC			54.8VDC		
	Overcharge Protection	31VDC			60VDC		
SOLAR CHARGE & AC CHARGE	Maximum PV Array Open Circuit Voltage	145VDC					
	PV Array MPPT Voltage Range	30~130VDC			64~130VDC		
	Standard Power Consumption	2W					
	Maximum PV Array Power	2000W			4000W		
	Maximum Solar Charge Current	80A					
	Maximum Efficiency	98%					
	Maximum AC Charge Current	60A					
Maximum Charge Current	140A						
MECHANICAL	Machine Dimensions (W*H*D)	272*355*100 mm			297.5*468*125 mm		
	Net Weight (kg)	7.4			14		
SPECIFICATIONS	Shipping Dimensions(W*H*D)	485*393*251			638*395*241		
	Gross Weight (kg)	9.5			16.4		
OTHER	Operation Temperature Range	0°C to 55°C					
	Storage Temperature	-15°C to 60°C					
	Humidity	5% to 95% Relative Humidity (Non-Condensing)					

*Product specifications are subject to change without further notice.

RSI-HF-ON Series High Frequency On Grid Solar Inverter

Feature:

- High Frequency On Grid Transformerless pure sin wave
- Solar Inverter
- MPPT Efficiency up to 99.5%
- Euro-efficiency up to 97%
- Full protection function: over-voltage, over-frequency, over-current, over-temperature, and AC short-circuit automatic protection
- Multiple communications: WIFI, USB, etc.
- Monitoring inverters freely via mobile phones APP
- Fanless low-noisy design
- IP65 Dust-Proof and Water-Proof



SPECIFICATION

MODEL		RSI -3K-HF-ON	RSI -3.6K-HF-ON	RSI -4.2K-HF-ON	RSI -4.6K-HF-ON	RSI -5K-HF-ON	RSI -6K-HF-ON
Rated Power(W)		3000	3600	4200	4600	5000	6000
PV	Maximum Recommended DC power (W)	3450	4100	4800	5300	5750	7000
	Nominal DC Operating Voltage (V)	360					
	Maximum DC Voltage	550					
	MPPT voltage range (V)	100-550					
INPUT (AC)	Maximum Input Current (A)	11					11/11
	Maximum Short Circuit Current (A)	15					15/15
	No.of MPP tracker	1					2
	Strings per MPP tracker	1					
INVERTER OUTPUT (AC)	Nominal AC Output Power (W)	3000	3600	4200	4600	5000	6000
	Nominal Output Voltage (V); range(V)	220/230/240;180-280					
	AC grid frequency (Hz); range (Hz)	50/60;45-55/55-65					
	Nominal Output Current (A)	13.1	15.7	18.3	20	21.7	26.1
	Maximum Output Current (A)	13.7	16.4	19.1	21	22.8	27.3
	Total Harmonic distortion (THDi)	<3%					
	Power Factor at Rated Power	1					
Displacement Power Factor	/	0. Bleeding-O. Blagging					
EFFICIENCY	Maximum efficiency	97.4%					
	Euro-efficiency	97					
	MPPT Efficiency	99.5%					
	Standard losses (W)	<1					
PROTECTION DEVICES GENERAL	DC switch rating for each MPPT	Yes					
	Grid monitoring	Yes					
	Output over current protection	Yes					
	Output overvoltage protection-varistor	Yes					
	Grund fault monitoring	Yes					
	Integrated all-pole sensitive leakage current	Yes					
	Dimensions (W*H*D)	259*340*138	355*412*153	355*412*153	355*412*173	355*412*173	355*412*210
	Net Weight (kg)	9.5	14	14	14.5	14.5	15
	DC connection	H4/MC4					
	AC connection	connection					
	Display	LED					
	Communication interfaces	WI-FI/USB					
	Ingress protection rating	IP65					
	Operating Temperature Range	-15°C to 60°C with derating above 45°C					
Attitude	<2000m						
Cooling concept	Natural						
Humidity	100%						

*Product specifications are subject to change without further notice.

RTI Series – Telecom Inverters High Frequency Pure Sine Wave Inverter (220V AC Output)

Feature:

- The advanced PWM an SPWM inverter control technology, back-up type single double conversion structure,
- Support 220/230V, 50/60Hz power system, adaptive frequency;
- Wide range of input voltage and frequency, strong ability to adapt power grid;
- Strong load adaptability, output overload and short circuit protection;
- The digital control CPU, higher stability;
- Built-in high power fan of the system, which greatly improves the reliability of the system;
- The built-in DC input soft start function, can greatly improve the impact of the input source which is more safe and reliable.



Application Diagram



AC



DC Power



Off Grid Inverter



Load

TECHNICAL DATA

TECHNICAL INDEX (VA)		RTI-0.8	RTI-1.6	RTI-2.4	RTI-3.2	RTI-4	RTI-4.8	RTI-6.4	RTI-8
24V Allowable range of Input DC voltage		Cutoff voltage: $\leq 20\text{Vdc}$, or $\geq 30\text{Vdc}$ Startup voltage: 22Vdc - 28Vdc							
48V Allowable range of Input DC voltage		Cutoff voltage: $\leq 40\text{Vdc}$, or $\geq 60\text{Vdc}$ Startup voltage: 45.5Vdc - 57Vdc							
110V Allowable range of Input DC voltage		Cutoff voltage: $\leq 90\text{Vdc}$, or $\geq 135\text{Vdc}$ Startup voltage: 104Vdc - 131Vdc							
220V Allowable range of Input DC voltage		Cutoff voltage: $\leq 180\text{Vdc}$, or $\geq 275\text{Vdc}$ Startup voltage: 208Vdc - 260Vdc							
Maximum current	24 DC Input	42A	83A	125A	165A	208A			
	48 DC Input	21A	42A	63A	83A	104A	152A	167A	208A
	110 DC Input	9A	18A	27A	36A	45A	55A	72A	90A
	220 DC Input	4.5A	9A	13.5A	18A	22.5A	27A	36A	45A
AC by-pass input	Allowable by-pass voltage (Vac)	180Vac - 260Vac							
	Rated input current (A)	4.5A	9.1A	13.6A	18.2A	22.7A	27.2A	36.3A	45.4A
	By-pass conversion time (ms)	<5 ms							
AC output	Rated capacity (VA)	1KVA	2KVA	3KVA	4KVA	5KVA	6KVA	8KVA	10KVA
	Rated input power (W)	800W	1600W	2400W	3200W	4000W	4800W	6400W	8000W
	Output voltage	220Vac (+/-10V Adjustable LCD Display)							
	Output frequency	50-60Hz (Auto sync with bypass input)							
	Rated output current	3.6A	7.3A	11.0A	14.5A	18.2A	21.8A	29.0A	36.3A
	Output voltage precision (V)	220 Vac +/-1.5%							
	Output frequency precision (Hz)	50Hz +/- 0.1% or 60Hz +/-0.1%							
	Waveform	Pure sine wave							
	Total harmonic distortion (THD)	$\leq 3\%$ (linear load)							
	Dynamic response time	5% (load 0<-->100%)							
	Power factor (PF)	>0.8							
	Overload capacity	100% - 120% 60s 121% - 150% 10s							
	Inversion efficiency (80% resistive load)	$\geq 85\%$ (80% linear load)							
	By-pass conversion time (ms)	$\leq 5\text{s}$							
Working environment	Dielectric strength (input and output)	1500Vac, 1 minute							
	Noise (1m)	$\leq 40\text{dB}$							
	Operating environment temperature	$-20^{\circ}\text{C} - +50^{\circ}\text{C}$							
	Humidity	0~90%, no moisture condensation							
	Operating attitude (m)	$\leq 2000\text{m}$							
Indication	LCD display	Input and output voltage, frequency, output current, temperature, percentage, etc.							
	Inverter status	Normal mains, normal inversion, battery under-voltage and output overload							